

DE-CIX German Internet Exchange

Technical Update

November 2010

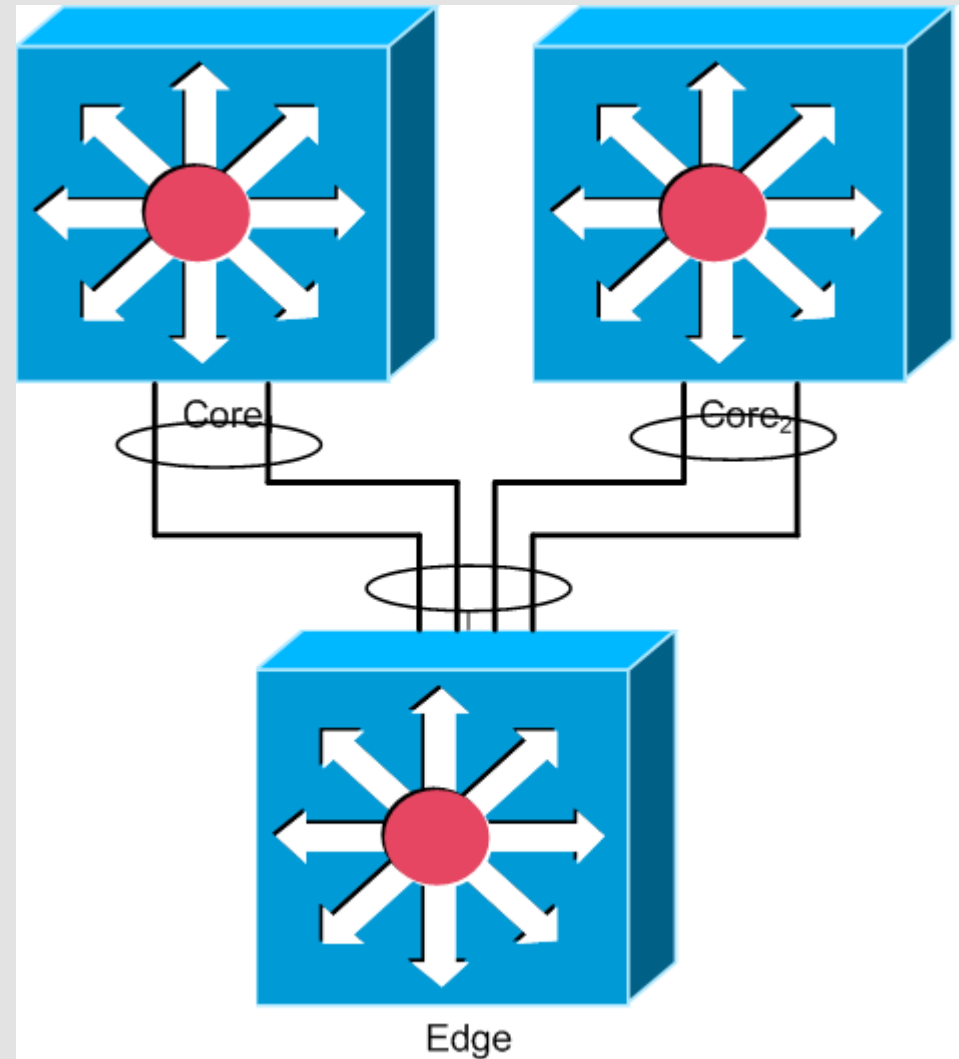


Agenda

- Upgrade to twin switch cores
- Upgrading the edge
- Technical Issues
- Routerservers
- Re-Launch of sFlow Portal
- New Website: first facts
- News from the remote IXes

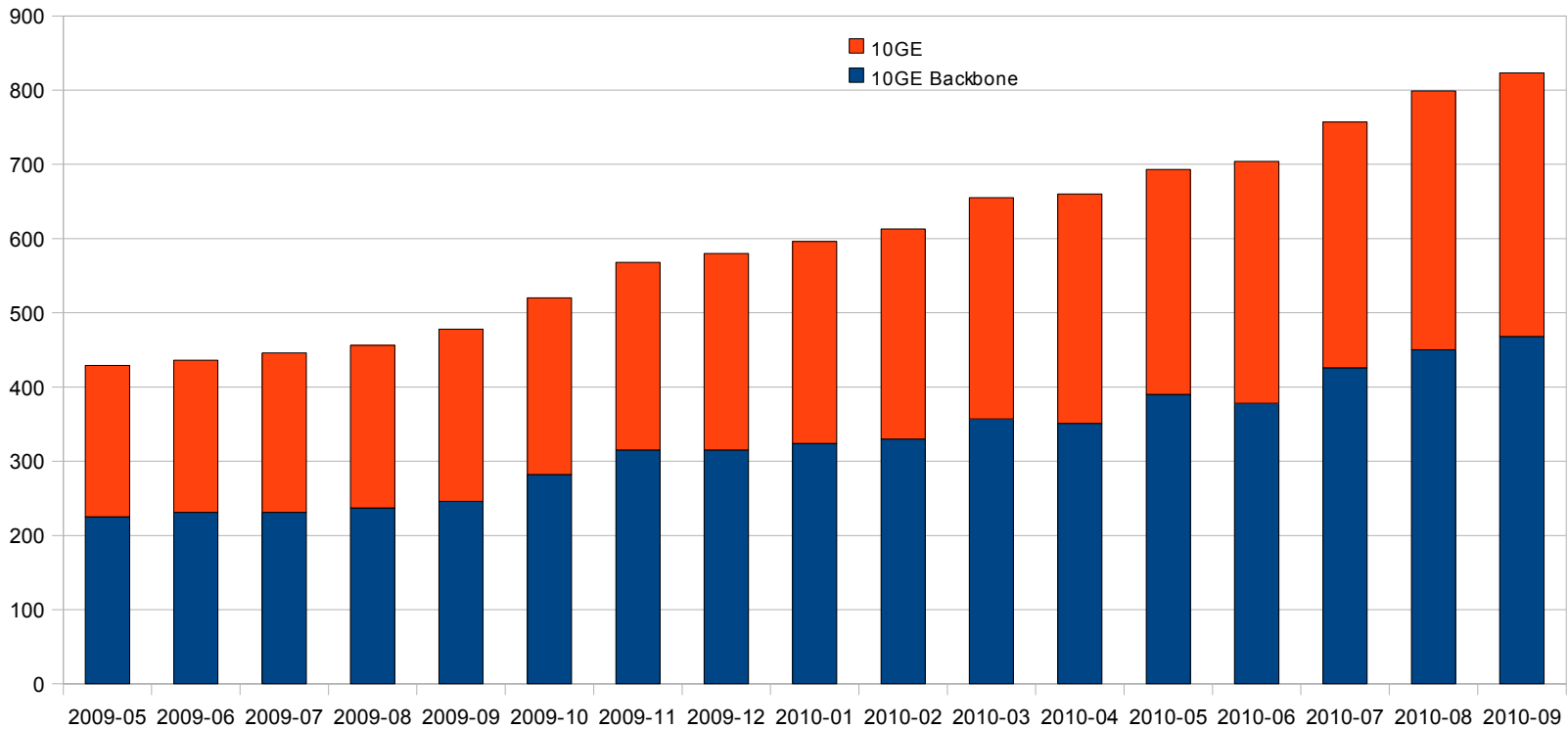
Twin switch core

- MLX32 runs out of interfaces
- Still want to keep setup simple
- Simply split each EtherChannel in two halves
- Next upgrade perhaps leads to redesign



Port growth (customer vs. backbone)

DE-CIX 10GE customer vs. backbone ports



Upgrading the edge

- Replacing 56-port 10GE TeraScale by 140-port 10GE ExaScale
- Next step is to combine two ExaScale by Virtual Switch feature
- Still not considering Brocades in the edge due to instabilities
- But keep in mind: port-density has to



Technical Issues

- DDoS attack in January and February 2010
 - Targets: gateways, webserver, firewall
 - Phasing in a SRX3400 did help
 - Finding: big upstream pipe helps
 - Re-design of upstream network ongoing

Technical Issues

- Cores (Brocade MLX32)
 - Defective linecard/sfm blackholes traffic
 - Switchover to hot-standby reveals that LC's installed since last switchover don't work

 - Bitflip in ARP frames
 - Still unresolved
 - Perhaps upgrade to IronWare 5.0 fixed the problem

 - Rapidly flapping interfaces leads to unresponsive CLI
 - Only rebooting solves the problem

Technical Issues

- Edges (Force10 ExaScale)
 - 10-port 10GE XFP linecards fail constantly
 - First analysis lead to bad capacitor
 - Have to swap out all LC's!
 - Still unusually high failures
 - Again swapped all LC's!
 - Finally SW upgrade fixed the problem
 - Buggy ACL handling leads to loops

Technical Issues

- Routerserver
 - Quagga under heavy load
 - Replaced by BIRD

Routeserver

- Old Quagga had come to its end
 - Loading the config took >30 minutes
 - Sessions crashed every now and then
 - No per customer prefix table

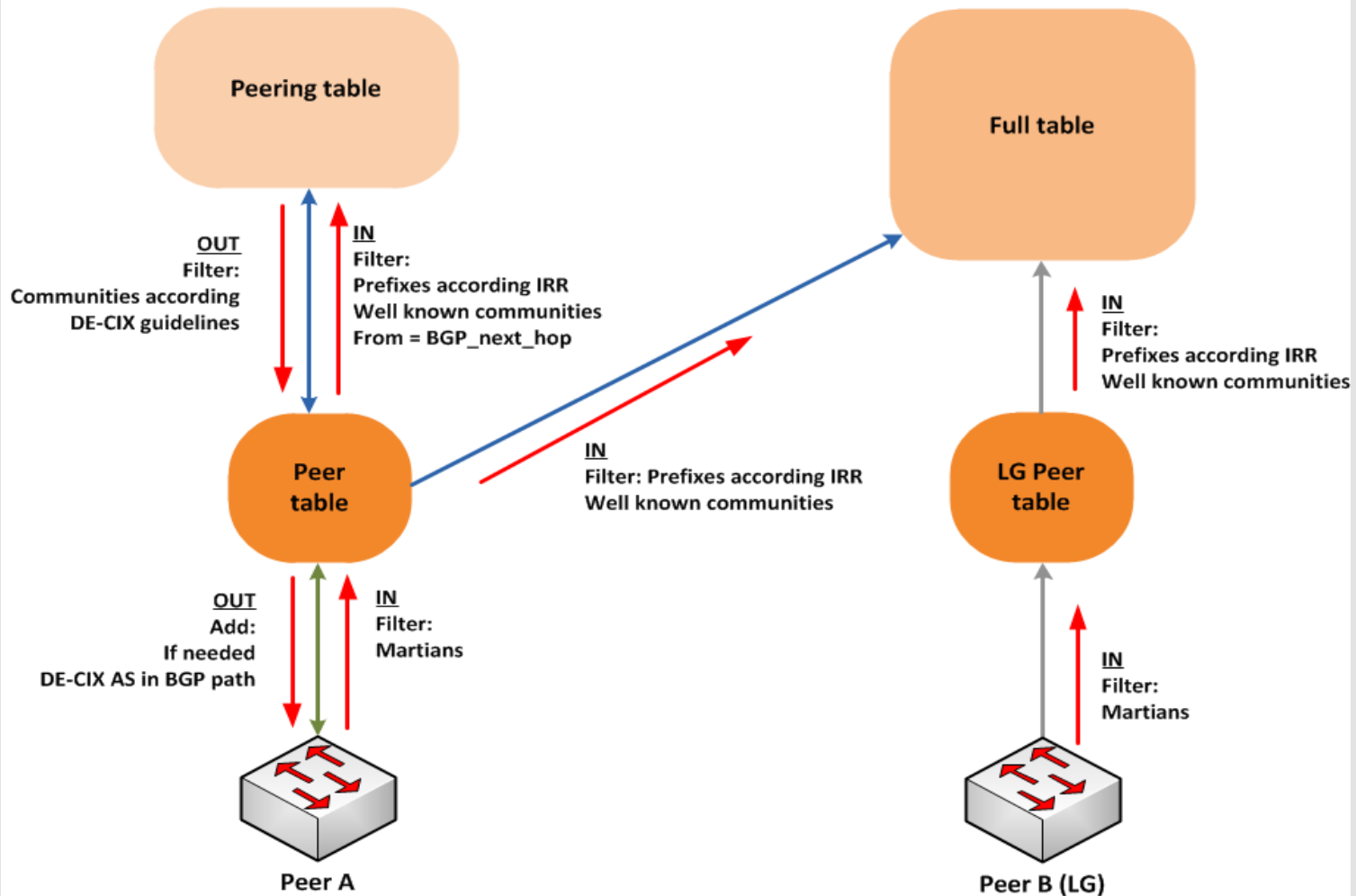
- Replaced by BIRD
 - Amazingly fast (loads config in 10s)
 - Per customer prefix table
 - Only one crash
 - Problem fixed within 24h

Routeserver

- Still working on further routeserver implementation
 - Supporting Quagga Improvements
 - Partly complete rewrite
 - HW w/ new Quagga already deployed
 - Looking for Beta Testers
 - Sponsoring OpenBGPD Hackathon
 - More efforts in 1Q2011

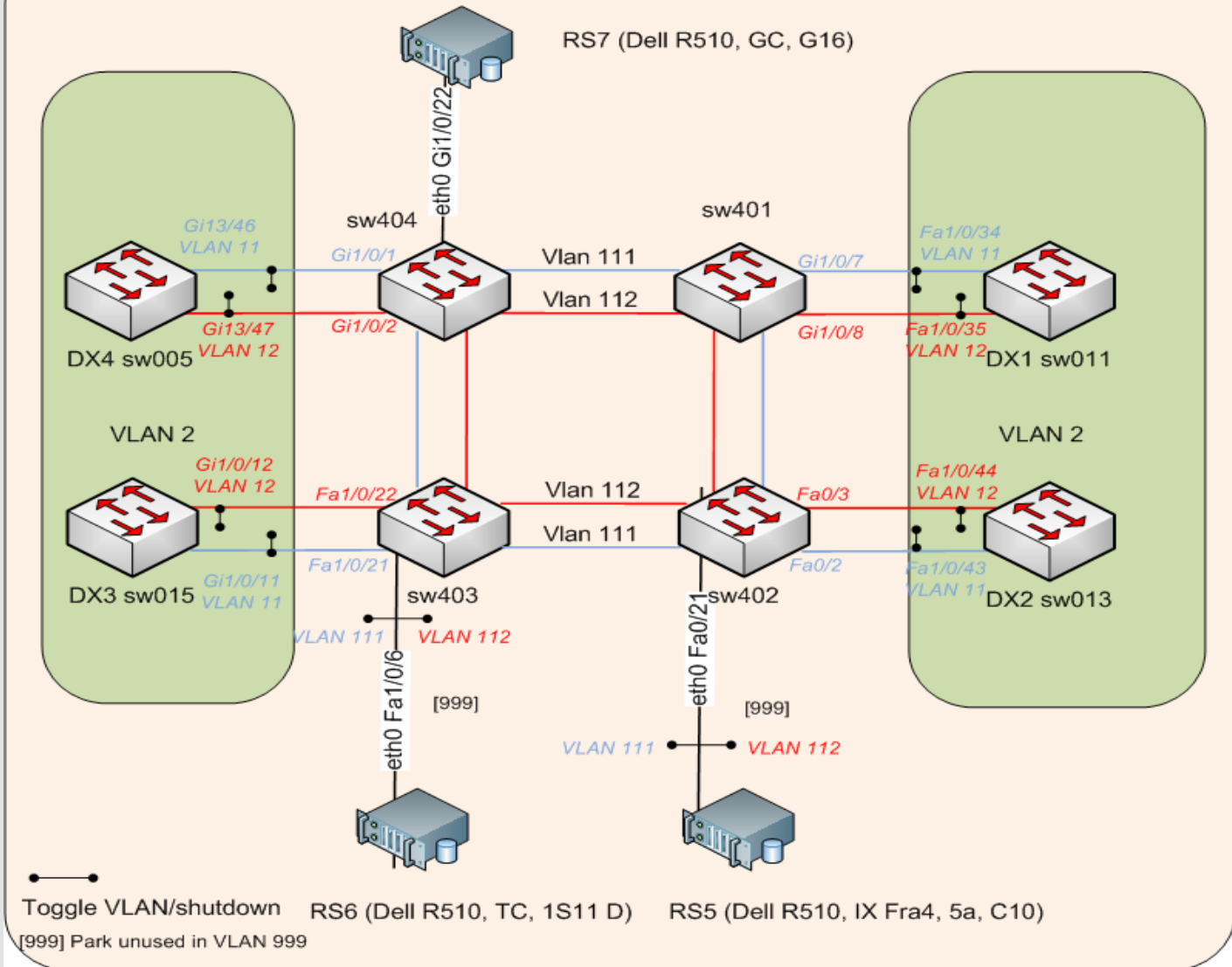
DE-CIX Routerserver

Table & filtering implementation guideline



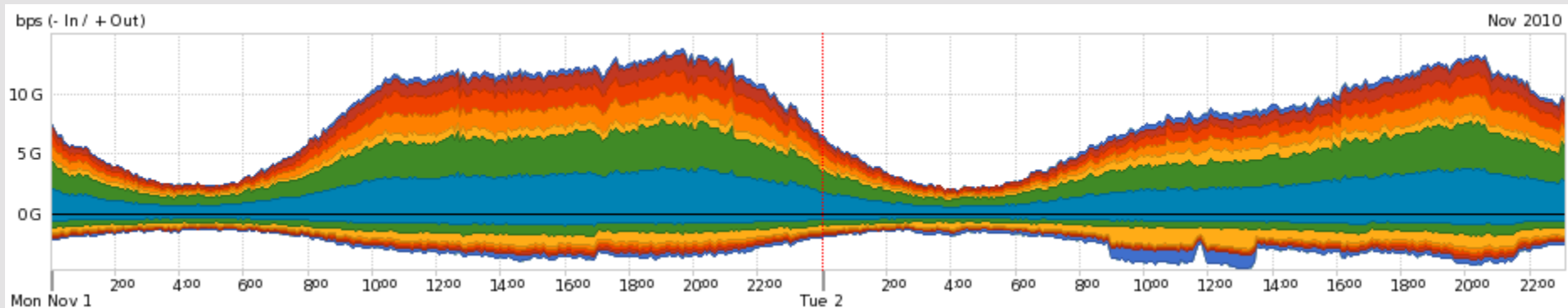
German Internet Exchange

Routeserver Connectivity



Re-Launch sFlow Portal

- Findings from DE-CIX meeting in fall 2009 lead to looking into legal aspects in depth
- Result: all but IP based statistics are Ok
- Planned to integrate sFlow portal into new DE-CIX portal



New Customer Portal

- New Corporate Design is a good idea to also completely re-design the portal
- Current usability is very poor
 - Improve usage and comfort
 - Get more feedback from customers
- Use open-source Typo3
- Hired full web developer (Eric Dorr)
 - Supported by Alexander Summa (intern)
- Lot of new self-services
- Remote IXP's will be integrated

News from Remote IXP's

- Added 2nd ALP-IX site in Landsberger Str. 155
 - Colocated at SpaceNET, next door to INXS
 - Installed Arista DCS-7124S
 - Resilient fibres to 1st ALP-IX site
 - Currently 20Gbps
 - Easily upgradable to multiple 10Gbps
- Upgrading WORK-IX switches in 1H2011
- Planning 3rd remote IXP for Düsseldorf

Thanks !

Join DE-CIX now.

DE-CIX Competence Center
Lindleystrasse 12
60314 Frankfurt/Germany

Phone +49 69 1730 902 - 0
info@de-cix.net



DE-CIX Competence Center @ Kontorhaus Building
Frankfurt Osthafen (Docklands)